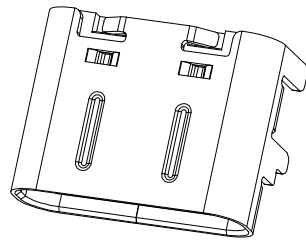
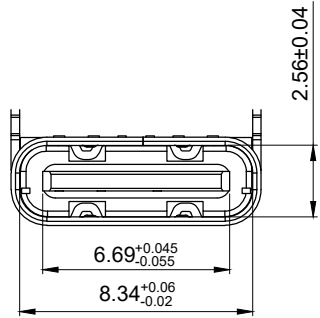
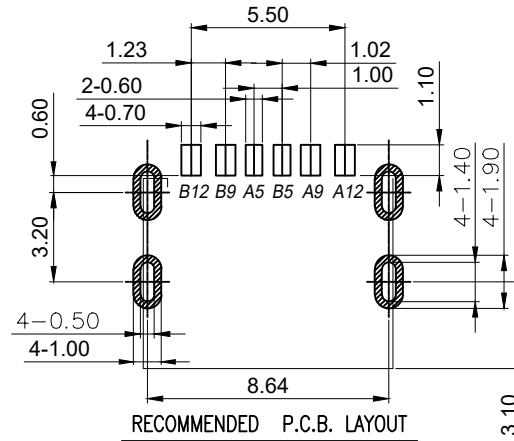




REV	DESCRIPTION	DATE	APPROVED

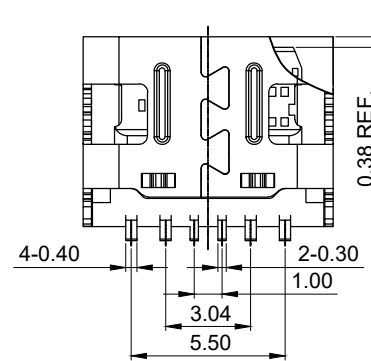
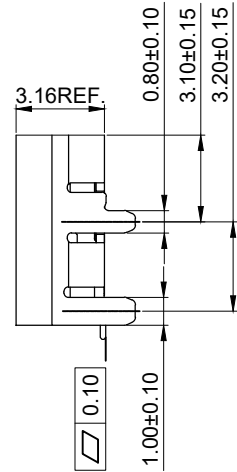
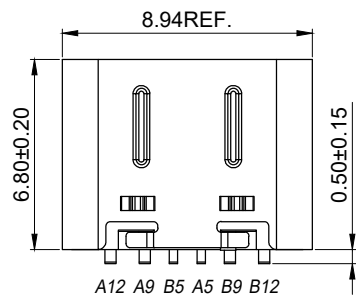


3D VIEW

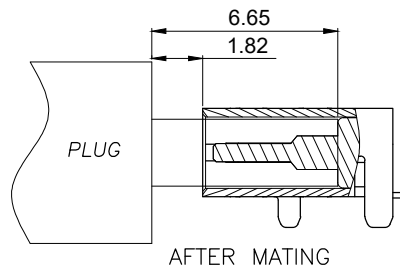
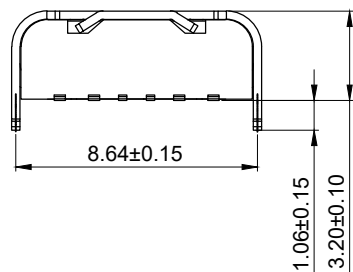


SPECIFICATION:

- ELECTRICAL:
 - CURRENT RATING:3A;
 - CONTACT RESISTANCE:40mΩ Max;
 - DIELECTRIC WITHSTANDING VOLTAGE:100V AC;
 - INSULATION RESISTANCE:100 MΩ MIN;
- MECHANICAL:
 - MATING FORCE:5~20N;
 - UNMATING FORCE:8~20N;
 - DURABILITY:10000 CYCLES;6~20N AFTER DURABILITY TEST;
- MATERIAL:
 - HOUSING&MOLDING:LCP UL94V-0;
 - TERMINAL:C2680 T=0.20mm;
 - SHELL:SUS304 T=0.30mm;
 - MID PLATE:SUS304 T=0.20mm;
- PLATING SPECIFICATION:
 - TERMINAL:CONTACT POINT GOLD PLATED 1u" MIN PIN WELDING AREA Tin PLATED 80u" MIN.
 - SHELL:PLATED Ni 50u" MIN(Salt spray 48H)
- ELECTROPLATED PRODUCTS NEED TO UNDERGO TIN ADHESION TESTING: THE TIN ADHESION AREA SHOULD REACH OVER 95%.
- SMT REFLOW SOLDERING (PEAK VALUE 260 °C ± 5 ° C) SHALL BE FREE OF BLISTERING, GLUE MELTING AND POOR COLOR CHANGE (DEFORMATION WITHIN TOLERANCE)
- OPERATING TEMPERATURE: -40°C~+85°C



B12	GND
B9	VBUS
B5	CC2
A5	CC1
A9	VBUS
A12	GND
PIN	SIGNAL NAME

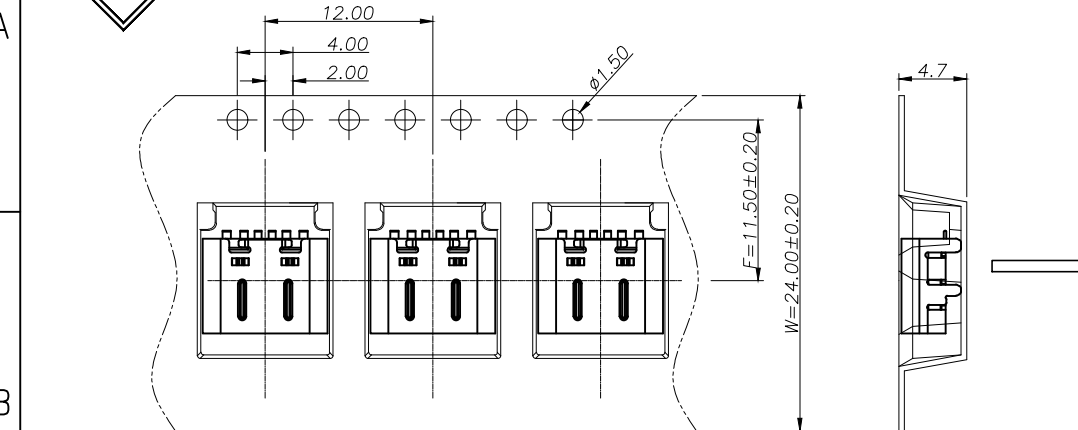


CUSTOMER DRAWING		
UNITS mm	SCALE 1:1	SHEET 1 OF 2
PROJECTION: 	DRAW: DAP	
GENERAL TOLERANCE X. ±0.25 X.x ±0.20 X.xx ±0.15 X.xxx ±0.10 ANGLES ±2°	CHECK: HWT	APPD: HHM

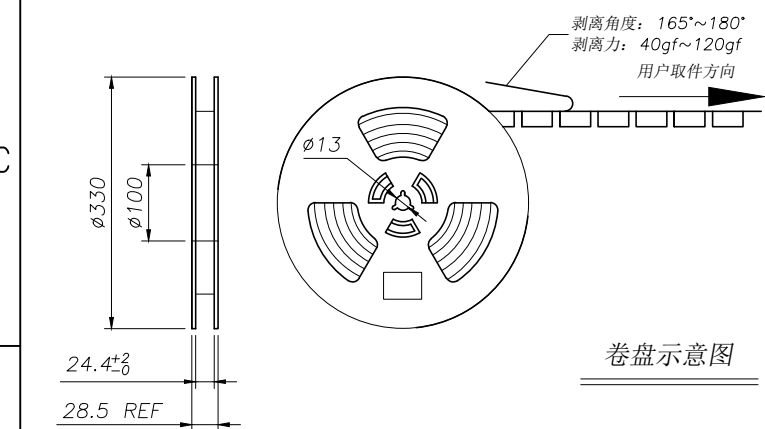
铭创科技（东莞）有限公司 Mingchuang Technology (Dongguan) Co., Ltd		
TITLE TYPE C母座6PIN 板上四脚插板 SMT L=6.8		
MAT'L SEE TABLE	FINISH SEE TABLE	
DWG. NO. A030602A	PART NO.	SIZE A4



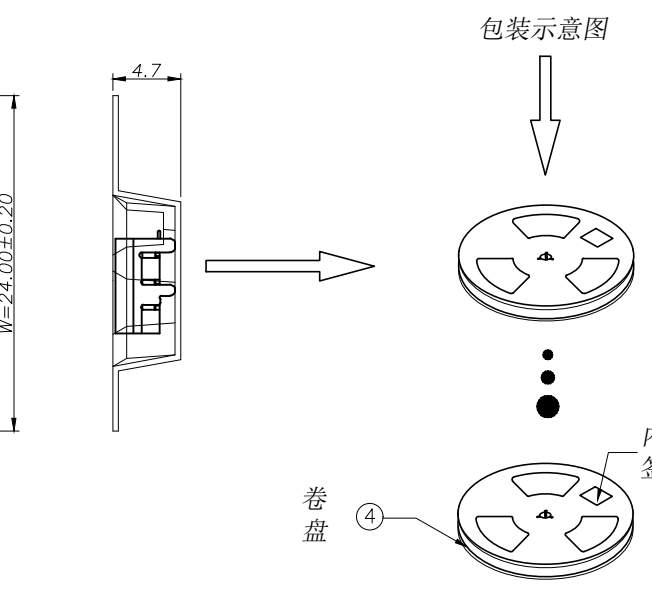
REV	DESCRIPTION	DATE	APPROVED



产品入载带示意图

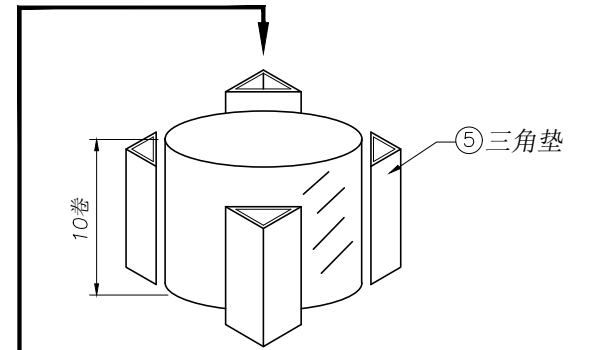


卷盘示意图

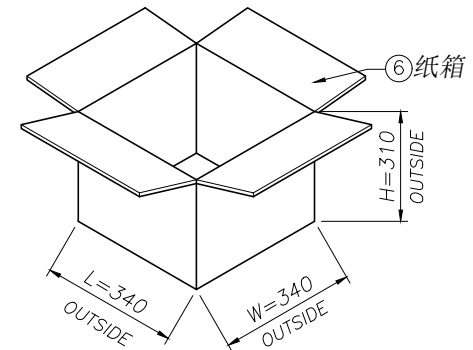


包装示意图

卷盘贴标签示意图



10盘产品叠层示意图



纸箱

技术要求:

1. 载带首尾各留出 10PCS 空格不装产品;
2. 每次放置 1PCS 产品, 每卷装 1000PCS 产品, 放置方式如图所示;
3. 将包装好的产品;每盘必需贴上内标签;将贴好内标签的产品每10盘堆叠.
4. 在纸箱四角垫上 4 个三角垫, 然后把装好产品的卷盘放入纸箱中, 最后用胶带封箱; (如客户有要求, 请按客户要求包装出货)
5. 上带与载带的剥离力: 40gf~120gf, 跳动量在 30gf 内; (剥离角度: 165°~180°, 剥离速度: 250~300mm/min)
6. 产品符合 RoHS 环保标准要求.

06	纸箱	B-05-0011	340mm*340mm*310mm	1 PCS
05	三角垫	/	300mm*260mm*7mm	4 PCS
04	卷盘	/	D=330mm, d=100mm, H=28.5mm	10 PCS
03	上带	/	W=20.70mm, T=0.05mm	12240 mm
02	载带	B-03-0004	W=24mm, T=0.50mm, P=12.0mm	12240 mm
01	连接器	A030602A	16PIN, SMT	10000 PCS
序号	物料名称	物料编号	规格	描述

CUSTOMER DRAWING		
UNITS mm	SCALE	SHEET 2 OF 2
PROJECTION: 	DRAW: DAP	
GENERAL TOLERANCE X. ±0.25 X.x ±0.20 X.xx ±0.15 X.xxx ±0.10 ANGLES ±2°	CHECK: HWT	MAT'L SEE TABLE
	APPD: HHM	
	DWG. NO. A030602A	
SIZE A4		

铭创科技(东莞)有限公司 Mingchuang Technology (Dongguan) Co., Ltd		
TITLE TYPE C母座6PIN 板上四脚插板 SMT L=6.8		
DWG. NO. A030602A		PART NO. _____
SIZE A4		