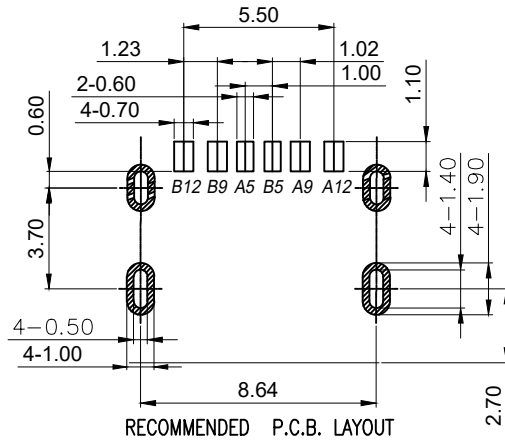


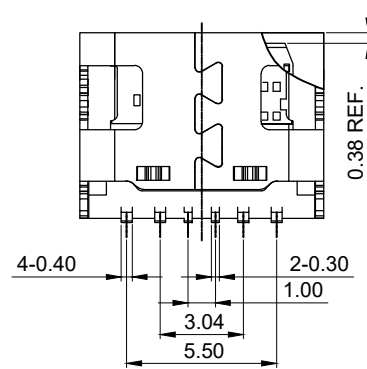
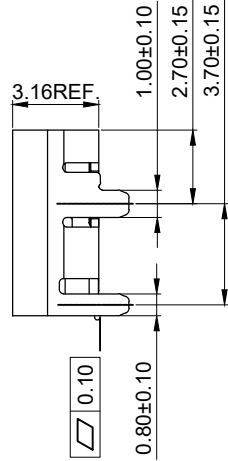
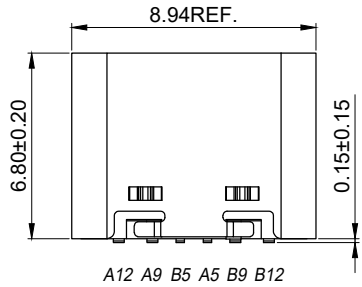
3D VIEW



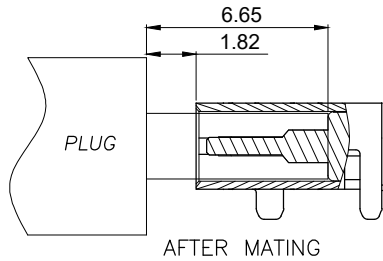
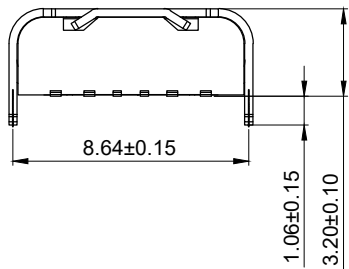
RECOMMENDED P.C.B. LAYOUT

SPECIFICATION:

1. ELECTRICAL:
  - 1.1 CURRENT RATING:3A;
  - 1.2 CONTACT RESISTANCE:40mΩ Max;
  - 1.3 DIELECTRIC WITHSTANDING VOLTAGE:100V AC;
  - 1.4 INSULATION RESISTANCE:100 MΩ MIN;
2. MECHANICAL;
  - 2.1 MATING FORCE:5~20N;
  - 2.2 UNMATING FORCE:8~20N;
  - 2.3 DURABILITY:10000 CYCLES;6~20N AFTER DURABILITY TEST;
3. MATERIAL:
  - 3.1 HOUSING&MOLDING:LCP UL94V-0;
  - 3.2 TERMINAL:C2680 T=0.20mm;
  - 3.3 SHELL:SUS304 T=0.30mm;
  - 3.4 MID PLATE:SUS304 T=0.20mm;
4. PLATING SPECIFICATION:
  - 4.1 TERMINAL:CONTACT POINT GOLD PLATED 1u" MIN  
PIN WELDING AREA GOLD PLATED 1u" MIN.
  - 4.2 SHELL:PLATED Ni 50u" MIN(Salt spray 48H)
5. ELECTROPLATED PRODUCTS NEED TO UNDERGO TIN ADHESION TESTING: THE TIN ADHESION AREA SHOULD REACH OVER 95%.
6. SMT REFLOW SOLDERING (PEAK VALUE 260 °C ± 5 ° C) SHALL BE FREE OF BLISTERING, GLUE MELTING AND POOR COLOR CHANGE (DEFORMATION WITHIN TOLERANCE)
7. OPERATING TEMPERATURE: -40°C~+85°C



B12	GND
B9	VBUS
B5	CC2
A5	CC1
A9	VBUS
A12	GND
PIN	SIGNAL NAME

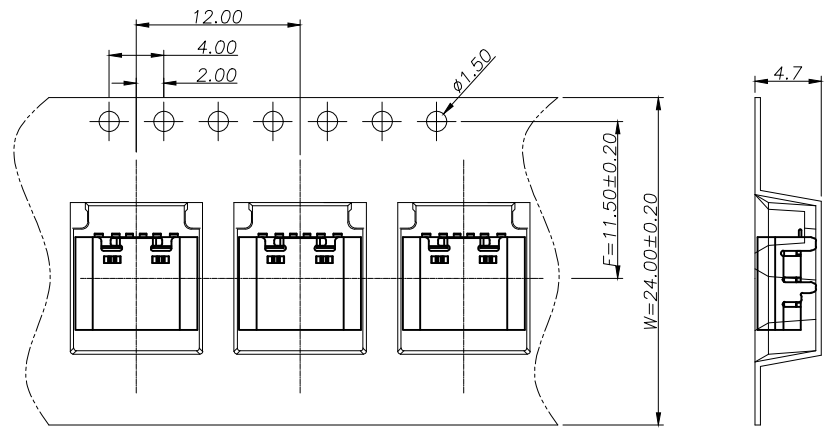


AFTER MATING

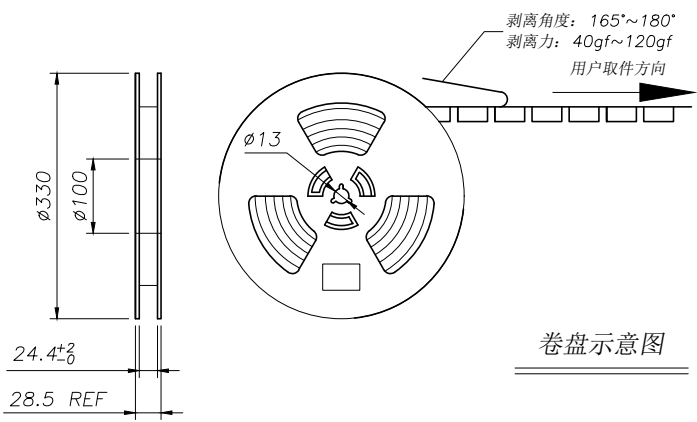
CUSTOMER DRAWING			铭创科技 (东莞) 有限公司		
UNITS mm	SCALE 1:1	SHEET	Mingchuang Technology (Dongguan) Co., Ltd		
PROJECTION: 	DRAW: DAP	TITLE	TYPE C母座6PIN 板上四脚插板 SMT L=6.8 B款 短引脚		
GENERAL TOLERANCE 0. ±0.35 0.0 ±0.25 0.00 ±0.15 0.° ±4° 0.0° ±3°	CHECK: HWT	MAT'L	SEE TABLE	FINISH SEE TABLE	
	APPD: HHM	DWG. NO.	A030602C	PART NO.	SIZE A4



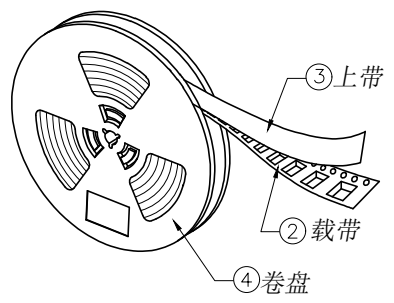
REV	DESCRIPTION	DATE	APPROVED



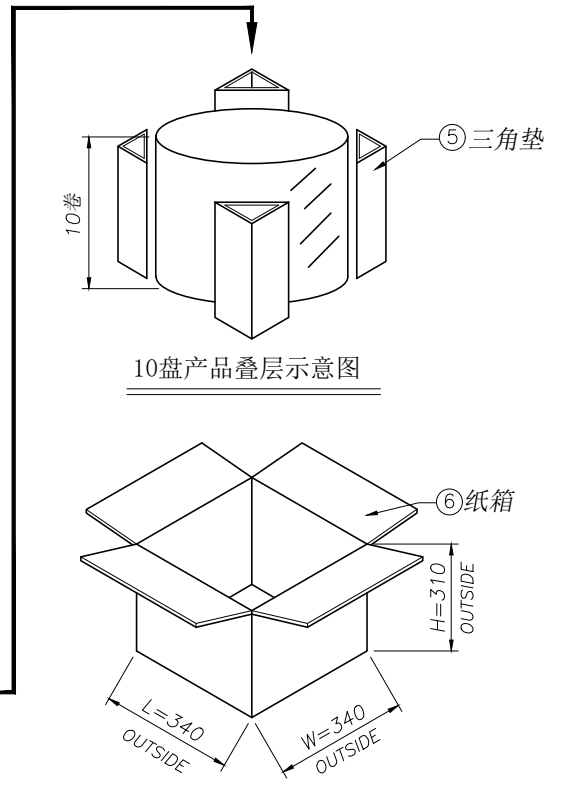
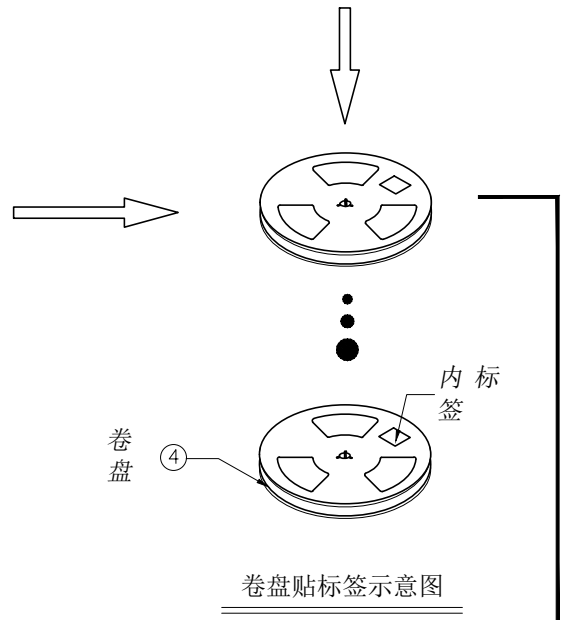
产品入载带示意图



卷盘示意图



包装示意图



10盘产品叠层示意图

技术要求:

1. 载带首尾各留出 10PCS 空格 不装产品;
2. 每穴放置 1PCS 产品, 每卷装 1000PCS 产品, 放置方式如图所示;
3. 将包装好的产品; 每盘必需贴上内标签; 将贴好内标签的产品每 10 盘堆叠.
4. 在纸箱四角垫上 4 个三角垫, 然后把装好产品的卷盘放入纸箱中, 最后用胶带封箱; (如客户有要求, 请按客户要求包装出货)
5. 上带与载带的剥离力: 40gf~120gf, 跳动量在 30gf 内; (剥离角度: 165°~180°, 剥离速度: 250~300mm/min)
6. 产品符合 RoHS 环保标准要求.

CUSTOMER DRAWING			铭创科技 (东莞) 有限公司 Mingchuang Technology (Dongguan) Co., Ltd		
UNITS mm	SCALE 1:1	SHEET	TITLE		
PROJECTION: 		DRAW: DAP	TYPE C 母座 6PIN 板上四脚插板 SMT L=6.8 B 款 短引脚		
GENERAL TOLERANCE 0. ±0.35 0.0 ±0.25 0.00 ±0.15 0.° ±4° 0.0° ±3°		CHECK: HWT	MAT'L SEE TABLE	FINISH SEE TABLE	
		APPD: HHM	DWG. NO. A030602C	PART NO.	SIZE A4

06	纸箱	B-05-0011	340mm*340mm*310mm	1 PCS
05	三角垫	/	300mm*260mm*7mm	4 PCS
04	卷盘	/	D=330mm, d=100mm, H=28.5mm	10 PCS
03	上带	/	W=20.70mm, T=0.05mm	12240 mm
02	载带	B-03-0004	W=24mm, T=0.50mm, P=12.0mm	12240 mm
01	连接器	A030602C	16PIN, SMT	10000 PCS
序号	物料名称	物料编号	规格	描述