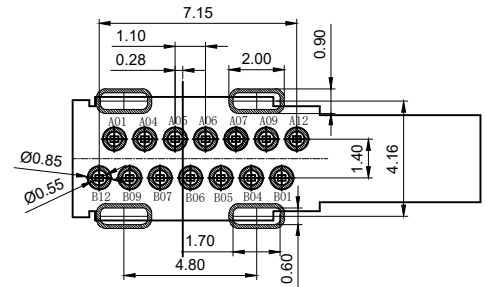
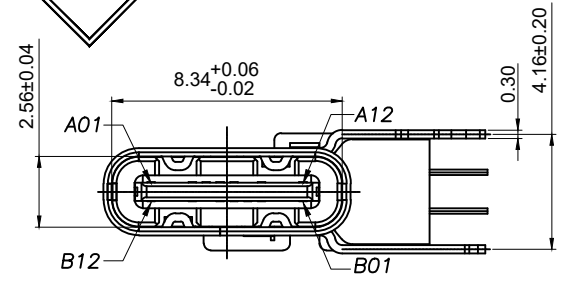
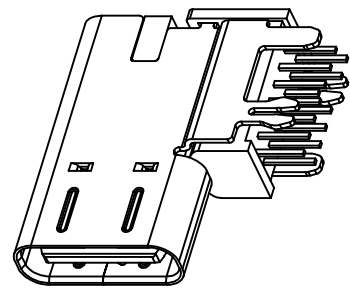




REV	DESCRIPTION	DATE	APPROVED



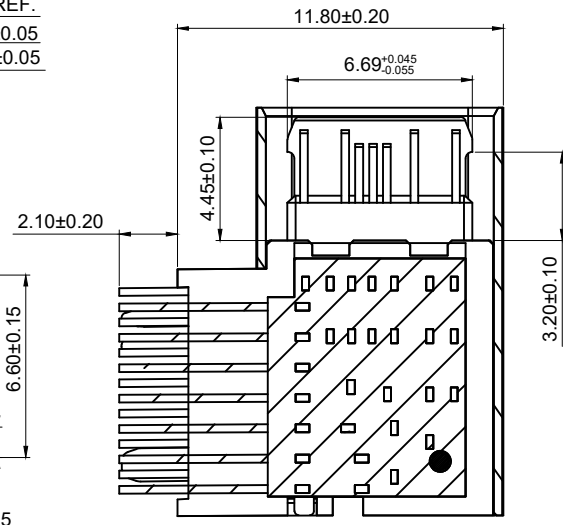
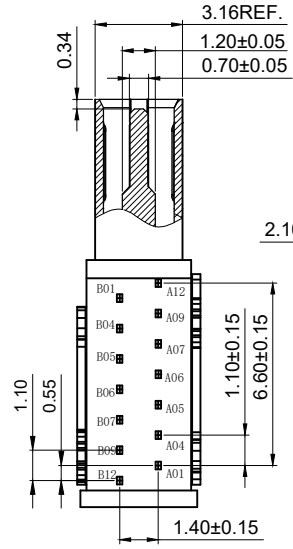
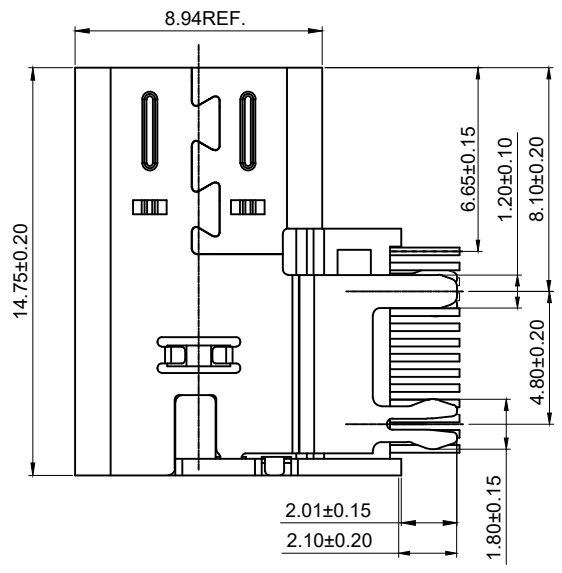
RECOMMENDED P.C.B. LAYOUT
TOLERANCE UNSPECIFIED ±0.05mm



3D VIEW

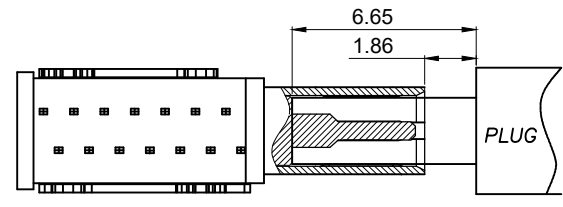
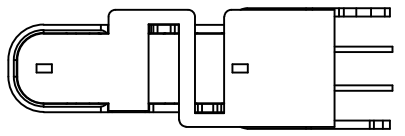
SPECIFICATION:

- ELECTRICAL:
 - CURRENT RATING:5.0A;
 - CONTACT RESISTANCE:40mΩ Max;
 - DIELECTRIC WITHSTANDING VOLTAGE:100V AC;
 - INSULATION RESISTANCE:100 MΩ MIN;
- MECHANICAL:
 - MATING FORCE:5~20N;
 - UNMATING FORCE:8~20N;
 - DURABILITY:10000 CYCLES;6~20N AFTER DURABILITY TEST;
- MATERIAL:
 - HOUSING&MOLDING: BLACK LCP UL94V-0;
 - TERMINAL:C2680 T=0.20mm;
 - SHELL:SUS304 T=0.30mm;
 - MID PLATE:SUS304 T=0.30mm;
- PLATING SPECIFICATION:
 - TERMINAL:CONTACT POINT GOLD PLATED 3u "Min PIN WELDING AREA TIN PLATED 80u" Min.
 - NI 40u" Min. UNDER PLATED OVER ALL.
 - SHELL:PLATED Ni 50u" Min(Salt spray 48H)
- ELECTROPLATED PRODUCTS NEED TO UNDERGO TIN ADHESION TESTING: THE TIN ADHESION AREA SHOULD REACH OVER 95%.
- SMT REFLOW SOLDERING (PEAK VALUE 260 °C ± 5 ° C) SHALL BE FREE OF BLISTERING, GLUE MELTING AND POOR COLOR CHANGE (DEFORMATION WITHIN TOLERANCE)
- OPERATING TEMPERATURE: -40°C~+85°C



剖视图

A1	GND	B12	GND
A4	VBUS	B9	VBUS
A5	CC1		
A6	D+	B7	Dn2
A7	D-	B6	Dp2
		B5	CC2
A9	VBUS	B4	VBUS
A12	GND	B1	GND
PIN	SIGNAL NAME	PIN	SIGNAL NAME

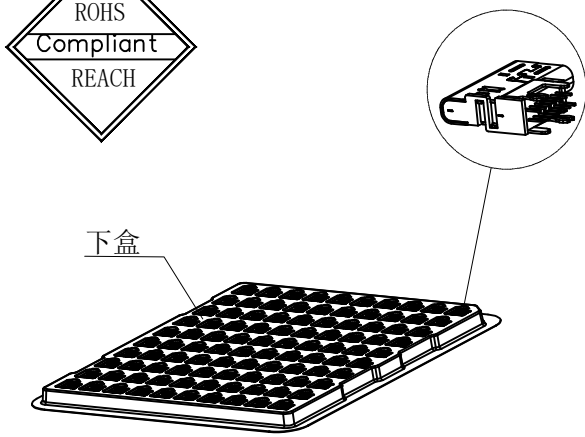
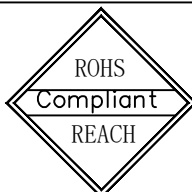


AFTER MATING

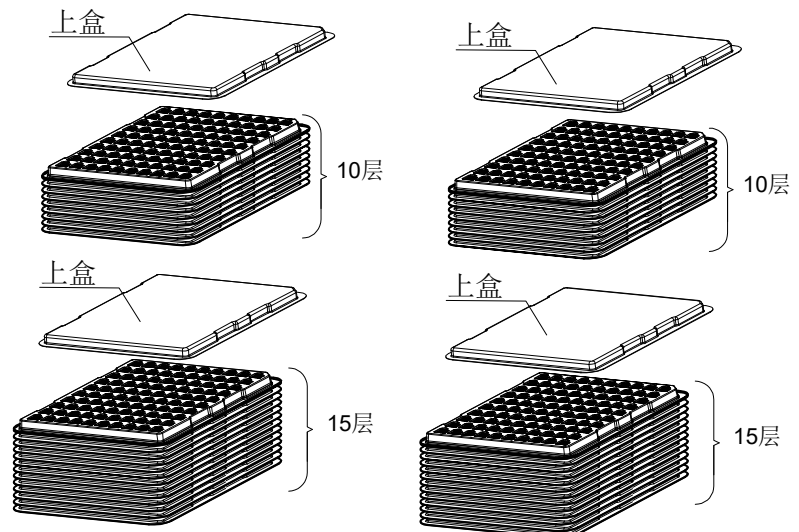
CUSTOMER DRAWING		
UNITS mm	SCALE 1:1	SHEET 1 OF 2
PROJECTION: 	DRAW: DAP	
GENERAL TOLERANCE X. ±0.25 X.x ±0.20 X.xx ±0.15 X.xxx ±0.10 ANGLES ±2°	CHECK: HWT	APPD: HHM

铭创科技 (东莞) 有限公司 Mingchuang Technology (Dongguan) Co., Ltd		
TITLE TYPE C母座14PIN 侧插四脚交叉小脚鱼叉脚DIP L=14.75 垫高2.7 CH=7.2		
MAT'L SEE TABLE	FINISH SEE TABLE	
DWG. NO. A031409B	PART NO.	SIZE A4

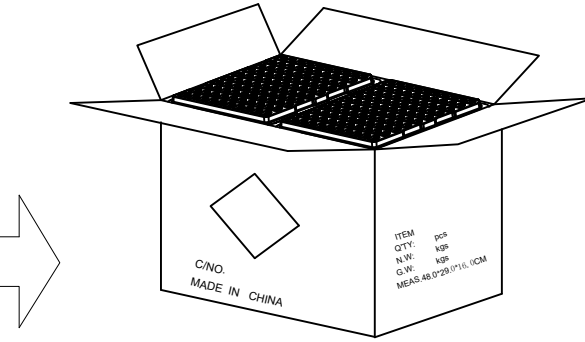
1	2	3	4	5	6	
			REV	DESCRIPTION	DATE	APPROVED



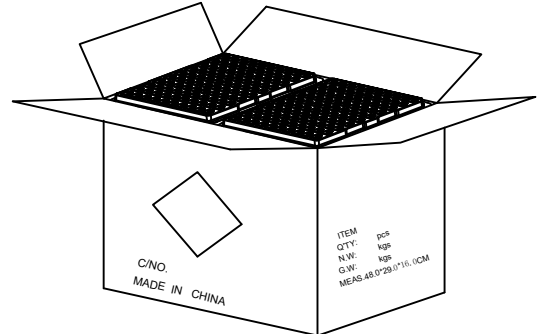
① 100Pcs/盒



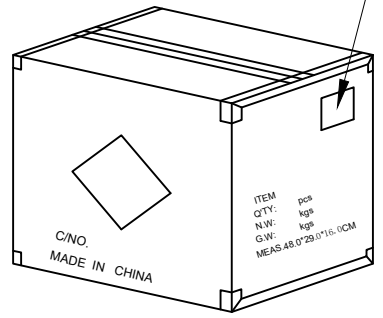
② 25层/叠 (2.5K)



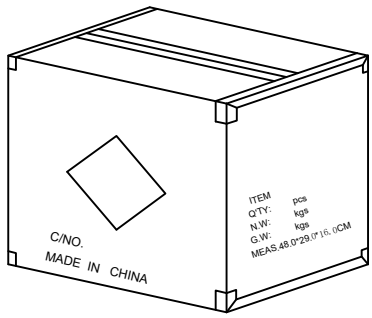
③ 2叠x2=5K/箱



④ 每箱竖放25盒*2, 若尾数箱在空间处加装填充物.



⑤ 依图示粘贴产品或RoHS标签.



⑥ 外箱用透明胶纸带封“工”字型.

- 备注:
1. 每盒装成品100Pcs;
 2. 2叠15层+2叠10层, 每叠顶面加一个上盖;
 3. 每箱装50盒(5K);
 4. 外箱尺寸与规格: 48.0*29.0*16.0CM
 5. 外箱用透明胶纸带封“工”字型;

04	纸箱	B-05-0017	480mm*290mm*160mm	1 PCS
03	上盖	B-01-0018	PET透明 T0.50*L280*W230*H11mm	4 PCS
02	下盒	B-01-0017	PET透明 T0.45*L280*W230*H11mm	50 PCS
01	连接器	A031409B	14PIN, DIP	5000 PCS
序号	物料名称	物料编号	规格	描述

CUSTOMER DRAWING		
UNITS mm	SCALE 1:1	SHEET 1 OF 2
PROJECTION: 	DRAW: DAP	
GENERAL TOLERANCE X. ±0.25 X.x ±0.20 X.xx ±0.15 X.xxx ±0.10 ANGLES ±2°	CHECK: HWT	
	APPD: HHM	

铭创科技(东莞)有限公司 Mingchuang Technology (Dongguan) Co., Ltd		
TITLE TYPE C母座14PIN 侧插四脚交叉小脚鱼叉脚DIP L=14.75 垫高2.7 CH=7.2		
MAT'L SEE TABLE	FINISH SEE TABLE	
DWG. NO. A031409B	PART NO. _____	SIZE A4