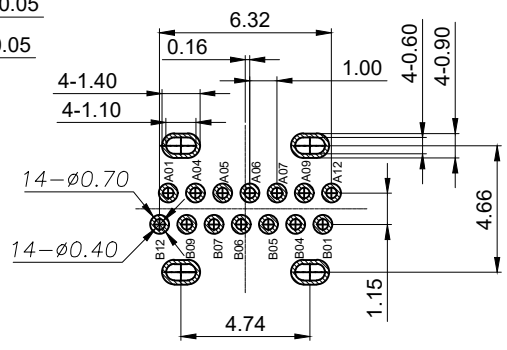
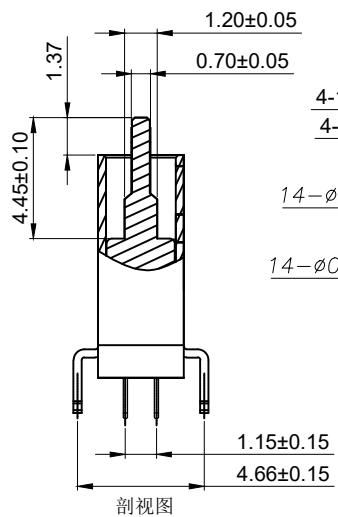
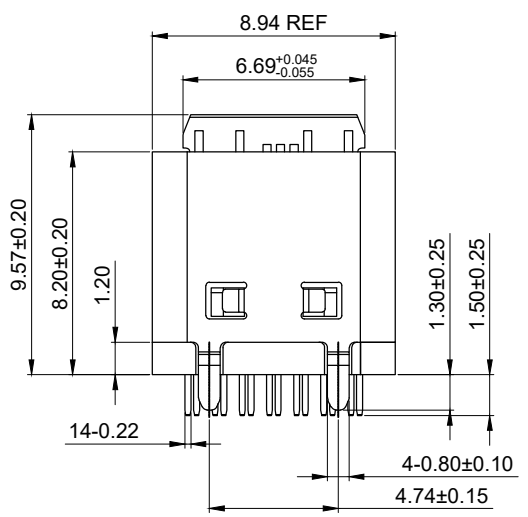
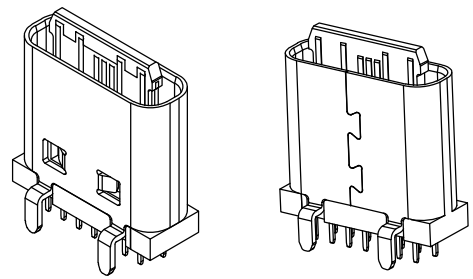
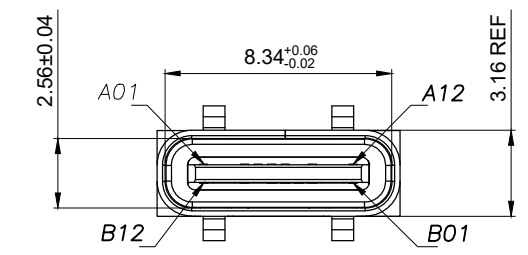




REV	DESCRIPTION	DATE	APPROVED

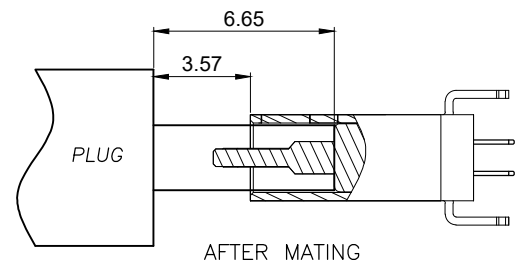
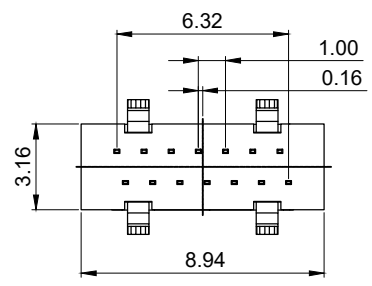
SPECIFICATION:

1. ELECTRICAL:
 - 1.1 CURRENT RATING:5A;
 - 1.2 CONTACT RESISTANCE:40mΩ Max;
 - 1.3 DIELECTRIC WITHSTANDING VOLTAGE:100V AC;
 - 1.4 INSULATION RESISTANCE:100 MΩ MIN;
2. MECHANICAL;
 - 2.1 MATING FORCE:5~20N;
 - 2.2 UNMATING FORCE:8~20N;
 - 2.3 DURABILITY:10000 CYCLES;6~20N AFTER DURABILITY TEST;
3. MATERIAL:
 - 3.1 HOUSING&MOLDING:LCP WHITE UL94V-0;
 - 3.2 TERMINAL:C7025 T=0.15mm;
 - 3.3 SHELL:SUS304 T=0.30mm;
 - 3.4 MID PLATE:SUS304 T=0.20mm;
4. PLATING SPECIFICATION:
 - 4.1 TERMINAL:CONTACT POINT GOLD PLATED 3u" MIN
PIN WELDING AREA GOLD PLATED 1u" MIN.
 - 4.2 SHELL:PLATED Ni 50u" MIN(Salt spray 48H)
5. ELECTROPLATED PRODUCTS NEED TO UNDERGO TIN ADHESION TESTING: THE TIN ADHESION AREA SHOULD REACH OVER 95%.
6. SMT REFLOW SOLDERING (PEAK VALUE 260 °C ± 5 ° C) SHALL BE FREE OF BLISTERING, GLUE MELTING AND POOR COLOR CHANGE (DEFORMATION WITHIN TOLERANCE)
7. OPERATING TEMPERATURE: -40°C~+85°C



RECOMMENDED P.C.B. LAYOUT (俯视图)
TOLERANCE UNSPECIFIED ±0.05mm

A1	GND	B12	GND
A4	VBUS	B9	VBUS
A5	CC1	B7	D-
A6	D+	B6	D+
A7	D-	B5	CC2
A9	VBUS	B4	VBUS
A12	GND	B1	GND
PIN	SIGNAL NAME	PIN	SIGNAL NAME

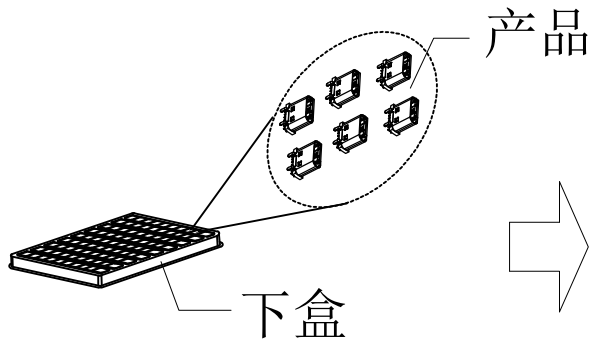


CUSTOMER DRAWING		
UNITS mm	SCALE 1:1	SHEET 1 OF 2
PROJECTION: 	DRAW: DAP	
GENERAL TOLERANCE X. ±0.25 X.x ±0.20 X.xx ±0.15 X.xxx ±0.10 ANGLES ±2°	CHECK: HWT	APPD: HHM

铭创科技 (东莞) 有限公司 Mingchuang Technology (Dongguan) Co., Ltd		
TITLE TYPE C母座14PIN 立式四脚插版DIP L=8.2 A款 舌片外露		
MAT'L SEE TABLE	FINISH SEE TABLE	
DWG. NO. A031402A	PART NO.	SIZE A4



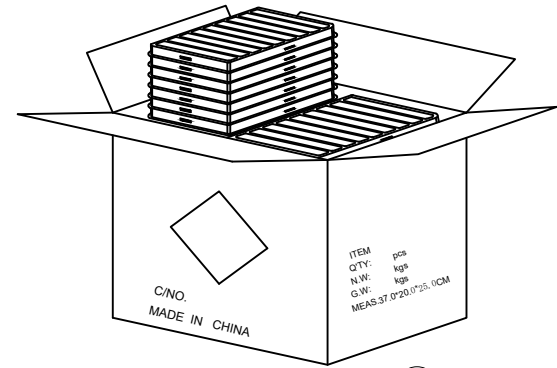
REV	DESCRIPTION	DATE	APPROVED



① PE真空盒(1Set).

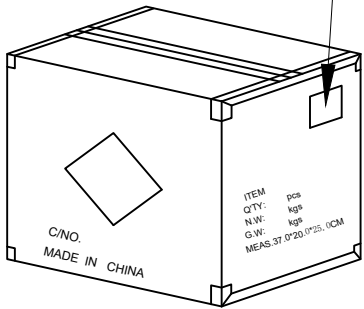


② 100Pcs/盒

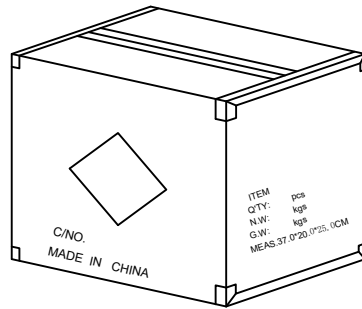


③ 80盒/箱(8k).

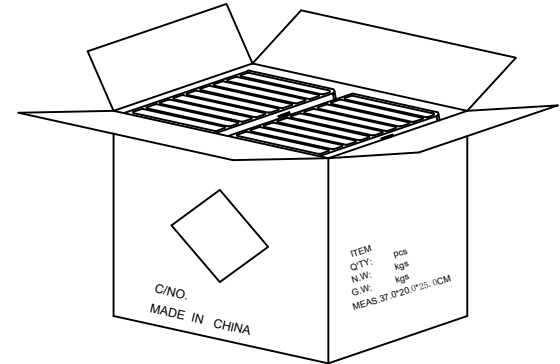
外箱物料标签



⑥ 依图示粘贴产品或RoHS标签.



⑤ 外箱用透明胶纸带封“工”字型.



④ 每箱竖放20盒*4,若尾数箱在空间处加装填充物.

03	纸箱	B-05-0006	370mm*200mm*250mm	1 PCS
02	下盒	B-01-0004	PET透明 T0.3*L195*W175*H9.5mm	100 PCS
01	连接器	A031402A	14PIN, DIP	8000 PCS
序号	物料名称	物料编号	规格	描述

CUSTOMER DRAWING			铭创科技(东莞)有限公司 Mingchuang Technology (Dongguan) Co., Ltd		
UNITS mm	SCALE 1:1	SHEET 2 OF 2	TITLE TYPE C母座14PIN 立式四脚插版DIP L=8.2 A款 舌片外露		
PROJECTION: 	DRAW: DAP		MAT'L SEE TABLE	FINISH SEE TABLE	
GENERAL TOLERANCE X. ±0.25 X.x ±0.20 X.xx ±0.15 X.xxx ±0.10 ANGLES ±2°	CHECK: HWT	APPD: HHM	DWG. NO. A031402A	PART NO. _____	SIZE A4