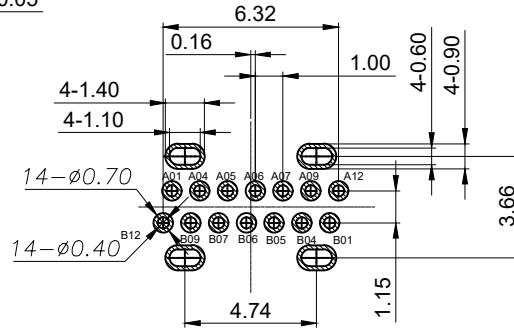
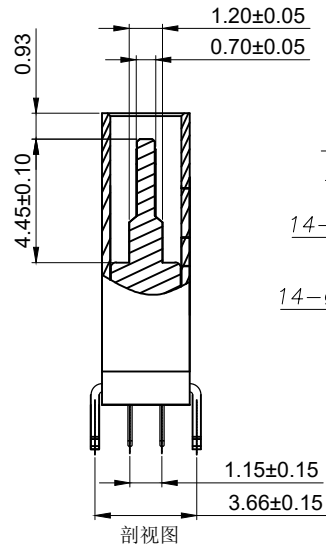
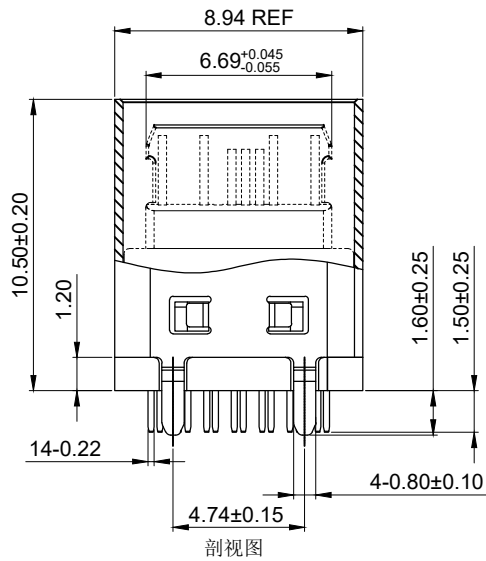
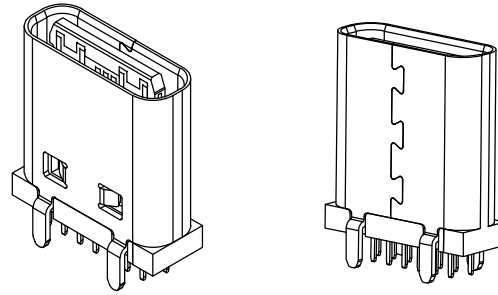
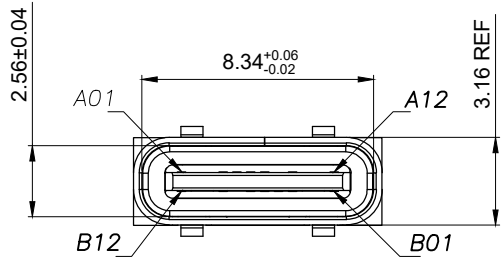




REV	DESCRIPTION	DATE	APPROVED

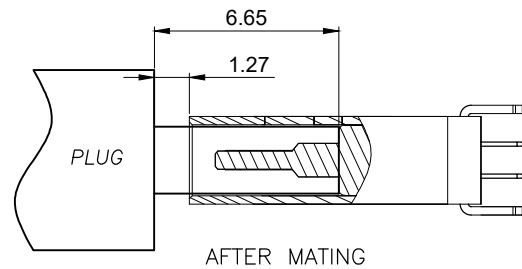
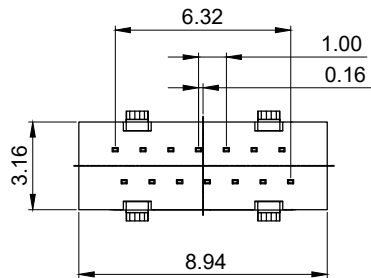
**SPECIFICATION:**

- ELECTRICAL:**
  - CURRENT RATING:5A;
  - CONTACT RESISTANCE:40mΩ Max;
  - DIELECTRIC WITHSTANDING VOLTAGE:100V AC;
  - INSULATION RESISTANCE:100 MΩ MIN;
- MECHANICAL:**
  - MATING FORCE:5~20N;
  - UNMATING FORCE:8~20N;
  - DURABILITY:10000 CYCLES;6~20N AFTER DURABILITY TEST;
- MATERIAL:**
  - HOUSING&MOLDING:LCP BLACK, UL94V-0;
  - TERMINAL:C7025 T=0.15mm;
  - SHELL:SUS304 T=0.30mm;
  - MID PLATE:SUS304 T=0.20mm;
- PLATING SPECIFICATION:**
  - TERMINAL:CONTACT POINT GOLD PLATED 3u "MIN  
PIN WELDING AREA GOLD PLATED 1u" MIN.
  - SHELL:PLATED Ni 50u" MIN(Salt spray 48H)
- ELECTROPLATED PRODUCTS NEED TO UNDERGO TIN ADHESION TESTING: THE TIN ADHESION AREA SHOULD REACH OVER 95%.**
- SMT REFLOW SOLDERING (PEAK VALUE 260 °C ± 5 ° C) SHALL BE FREE OF BLISTERING, GLUE MELTING AND POOR COLOR CHANGE (DEFORMATION WITHIN TOLERANCE)**
- OPERATING TEMPERATURE: -40°C~+85°C**



**RECOMMENDED P.C.B. LAYOUT (俯视图)**  
TOLERANCE UNSPECIFIED ±0.05mm

A1	GND	B12	GND
A4	VBUS	B9	VBUS
A5	CC1	B7	D-
A6	D+	B6	D+
A7	D-	B5	CC2
A9	VBUS	B4	VBUS
A12	GND	B1	GND
PIN	SIGNAL NAME	PIN	SIGNAL NAME

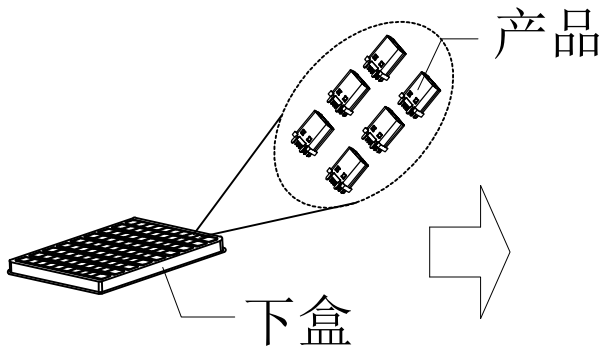


CUSTOMER DRAWING		
UNITS mm	SCALE 1:1	SHEET 1 OF 2
PROJECTION: 	DRAW: DAP	
GENERAL TOLERANCE X. ±0.25 X.x ±0.20 X.xx ±0.15 X.xxx ±0.10 ANGLES ±2°	CHECK: HWT	MAT'L SEE TABLE
	APPD: HHM	DWG. NO. A031406A
		PART NO. _____

<b>铭创科技 (东莞) 有限公司</b> Mingchuang Technology (Dongguan) Co., Ltd	
TITLE <b>TYPE C母座14PIN 立式四脚插板DIP L=10.5 A款</b>	
MAT'L SEE TABLE	FINISH SEE TABLE
DWG. NO. A031406A	PART NO. _____
SIZE A4	



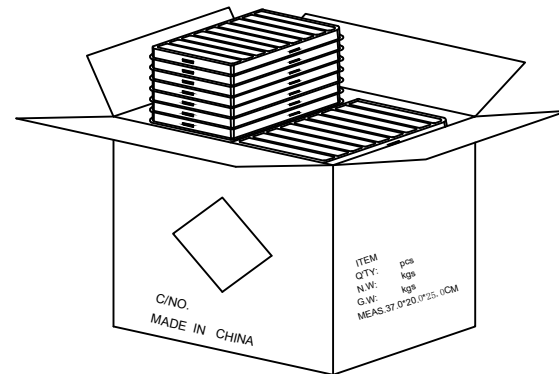
REV	DESCRIPTION	DATE	APPROVED



① PE真空盒(1Set).

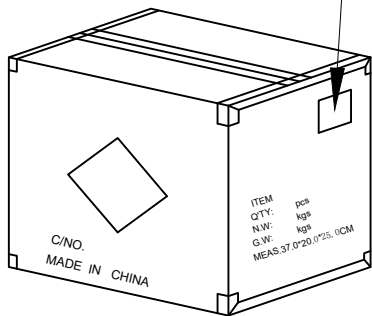


② 100Pcs/盒

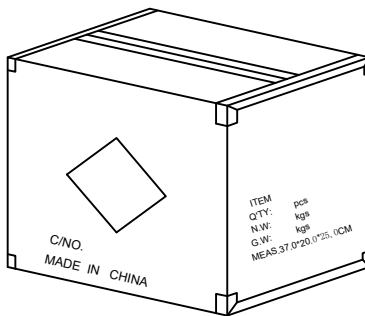


③ 100盒/箱(10k).

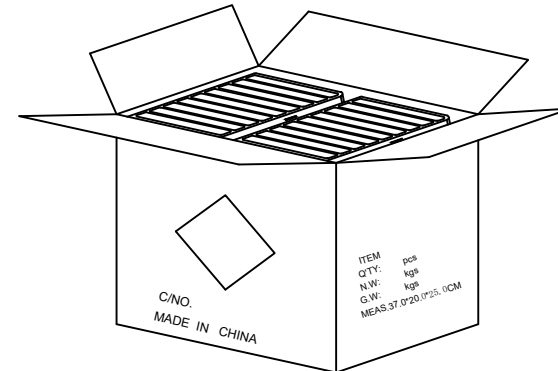
外箱物料标签



⑥ 依图示粘贴产品或RoHS标签.



⑤ 外箱用透明胶纸带封“工”字型.



④ 每箱竖放25盒\*4, 若尾数箱在空间处加装填充物.

03	纸箱	B-05-0006	370mm*200mm*250mm	1 PCS
02	下盒	B-01-0004	PET透明 T0.3*L195*W175*H9.5mm	100 PCS
01	连接器	A031406A	14PIN, DIP	10000 PCS
序号	物料名称	物料编号	规格	描述

CUSTOMER DRAWING		
UNITS mm	SCALE 1:1	SHEET 2 OF 2
PROJECTION: 	DRAW: DAP	
GENERAL TOLERANCE X. ±0.25 X.x ±0.20 X.xx ±0.15 X.xxx ±0.10 ANGLES ±2°	CHECK: HWT	
	APPD: HHM	

铭创科技(东莞)有限公司  
Mingchuang Technology (Dongguan) Co., Ltd

TITLE TYPE C母座14PIN 立式四脚 插版DIP L=10.5 A款		
MAT'L SEE TABLE	FINISH SEE TABLE	
DWG. NO. A031406A	PART NO. _____	SIZE A4

1

2

3

4

5

6