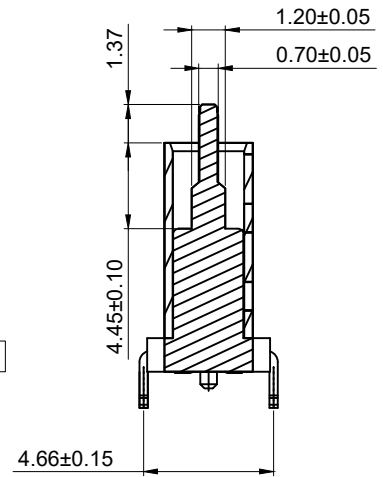
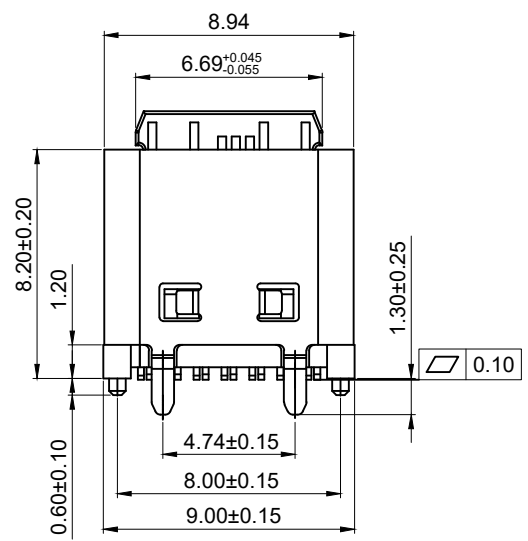
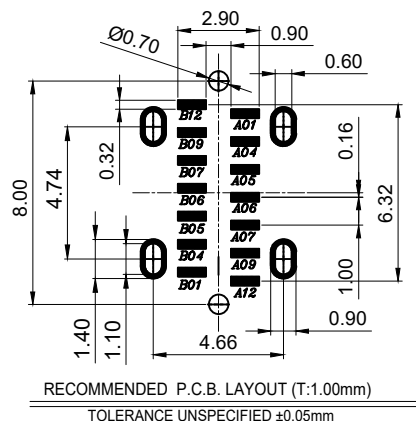
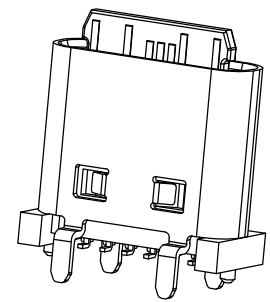
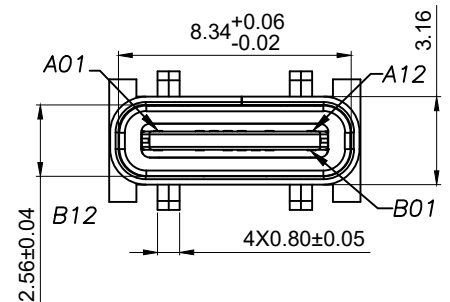




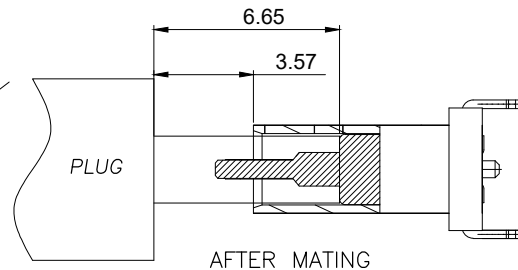
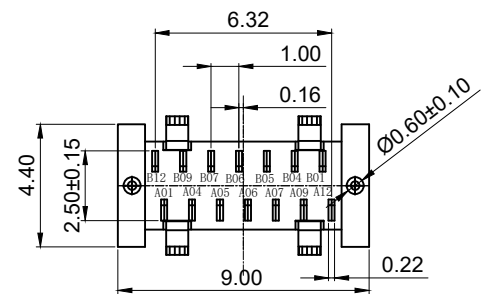
REV	DESCRIPTION	DATE	APPROVED

SPECIFICATION:

- ELECTRICAL:**
 - CURRENT RATING:5A;
 - CONTACT RESISTANCE:40mΩ Max;
 - DIELECTRIC WITHSTANDING VOLTAGE:100V AC;
 - INSULATION RESISTANCE:100 MΩ MIN;
- MECHANICAL;**
 - MATING FORCE:5~20N;
 - UNMATING FORCE:8~20N;
 - DURABILITY:10000 CYCLES;6~20N AFTER DURABILITY TEST;
- MATERIAL:**
 - HOUSING&MOLDING: LCP WHITE UL94V-0;
 - TERMINAL:C7025 T=0.15mm;
 - SHELL:SUS304 T=0.30mm;
 - MID PLATE:SUS304 T=0.20mm;
- PLATING SPECIFICATION:**
 - TERMINAL:CONTACT POINT GOLD PLATED 3u"Min
PIN WELDING AREA GOLD PLATED 1u"Min.
 - NI 40u"Min. UNDER PLATED OVER ALL.
 - SHELL:PLATED Ni 50u"Min(Salt spray 48H)
- ELECTROPLATED PRODUCTS NEED TO UNDERGO TIN ADHESION TESTING: THE TIN ADHESION AREA SHOULD REACH OVER 95%.**
- SMT REFLOW SOLDERING (PEAK VALUE 260 °C ± 5 ° C) SHALL BE FREE OF BLISTERING, GLUE MELTING AND POOR COLOR CHANGE (DEFORMATION WITHIN TOLERANCE)**
- OPERATING TEMPERATURE: -40°C~+85°C**



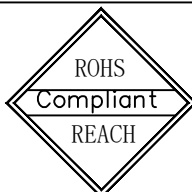
A1	GND	B12	GND
A4	VBUS	B9	VBUS
A5	CC1	B7	Dn2
A6	D+	B6	Dp2
A7	D-	B5	CC2
A9	VBUS	B4	VBUS
A12	GND	B1	GND
PIN	SIGNAL NAME	PIN	SIGNAL NAME



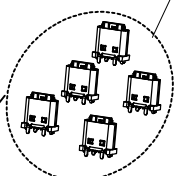
CUSTOMER DRAWING		
UNITS mm	SCALE 1:1	SHEET 1 OF 1
PROJECTION: 	DRAW: DAP	
GENERAL TOLERANCE X. ±0.25 X.x ±0.20 X.xx ±0.15 X.xxx ±0.10 ANGLES ±2°	CHECK: HWT	APPD: HHM

铭创科技 (东莞) 有限公司 Mingchuang Technology (Dongguan) Co., Ltd			
TITLE TYPE C母座14PIN 立式四脚插版SMT L=8.2 A款 舌片外露			
MAT'L	SEE TABLE	FINISH	SEE TABLE
DWG. NO.	A031404A	PART NO.	SIZE A4

1	2	3	4	5	6	
			REV	DESCRIPTION	DATE	APPROVED



产品

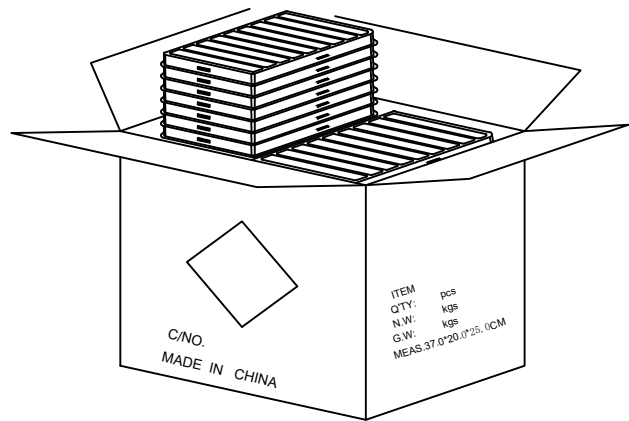


下盒

1 PE真空盒 (1Set).

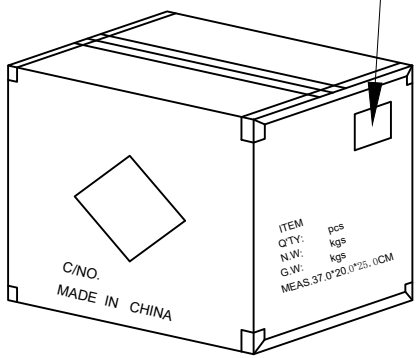


2 100Pcs/盒,

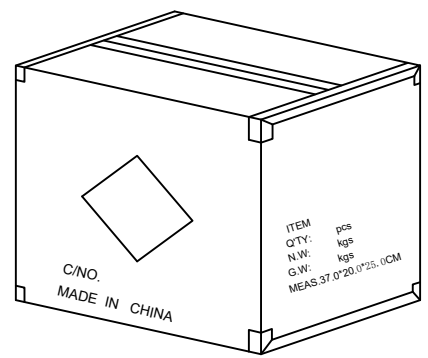


3 80盒/箱(8k).

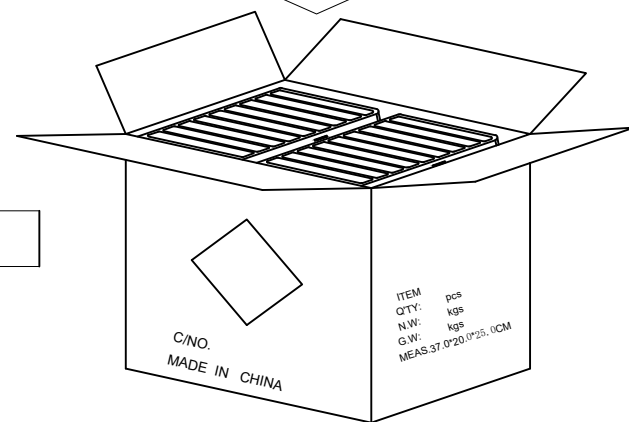
外箱物料标签



6 依图示粘贴产品或ROHS标签.



5 外箱用透明胶纸带封“工”字型.



4 每箱竖放40盒*2, 若尾数箱在空间处加装填充物.

- 备注:
1. PE真空盒1set
 2. 每盒装成品100Pcs
 3. 外箱尺寸与规格: 37*20*25CM
 4. 外箱用透明胶纸带封“工”字型;

03	纸箱	B-05-0006	370mm*200mm*250mm	1 PCS
02	底盘	B-01-0004	PET透明 T0.3*L195*W175*H9.5mm	100 PCS
01	连接器	A031404A	14PIN, SMT	8000 PCS
序号	物料名称	物料编号	规格	描述

CUSTOMER DRAWING		
UNITS mm	SCALE 1:1	SHEET 1 OF 1
PROJECTION: 	DRAW: DAP	
GENERAL TOLERANCE X. ±0.25 X.x ±0.20 X.xx ±0.15 X.xxx ±0.10 ANGLES ±2°	CHECK: HWT	
	APPD: HHM	

铭创科技(东莞)有限公司 Mingchuang Technology (Dongguan) Co., Ltd		
TITLE TYPE C母座14PIN 立式四脚插版SMT L=8.2 A款 舌片外露		
MAT'L SEE TABLE	FINISH SEE TABLE	
DWG. NO. A031404A	PART NO. _____	SIZE A4